



# Doors and Fronts

Lubratec® Solutions for Animal-Friendly Farm Management



# Lubratec

## Livestock environments for greater animal welfare

The Lubratec brand offers you first-class solutions for animal-friendly livestock farming and breeding. Lubratec products will help you to promote the well-being of your animals by optimising environmental conditions in barns,

encouraging natural behaviour, reducing infections and much more. The high-grade, robust and durable systems will also improve the efficiency and flexibility of your farming operations.



**Promotion of animal-friendly livestock farming**



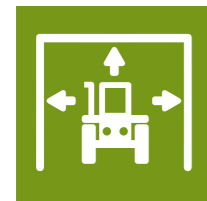
**Creation of healthy environmental conditions in barns**



**Improvement of animal health**



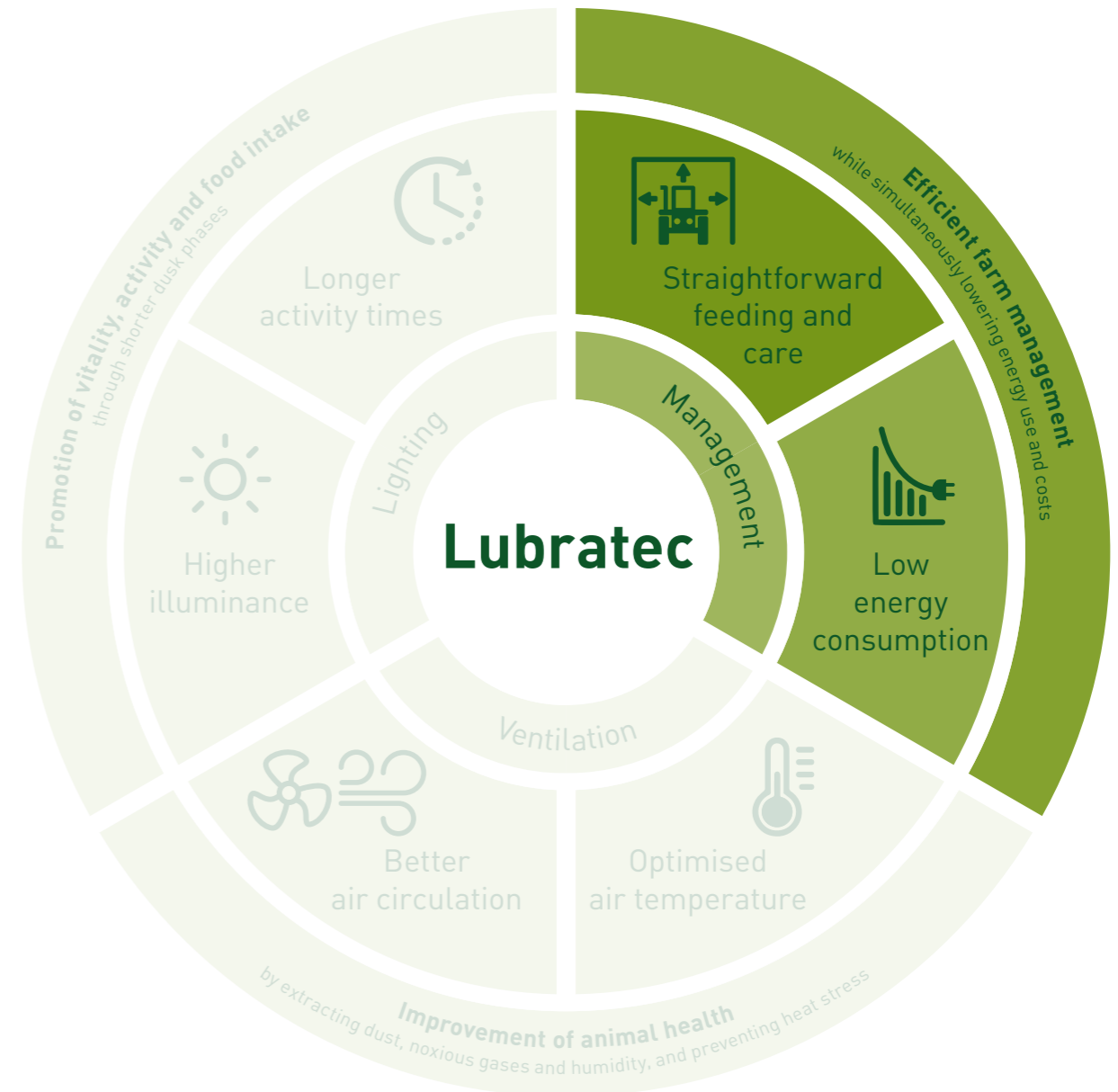
**Encouragement of natural behaviour**



**Simplification of farm management**

## Animal friendly farming is a challenge – Lubratec is the solution

The Lubratec product portfolio features a wealth of professional solutions for cutting-edge, animal friendly housings for livestock farming and breeding. Lubratec will help you to reconcile animal welfare with efficient barn management



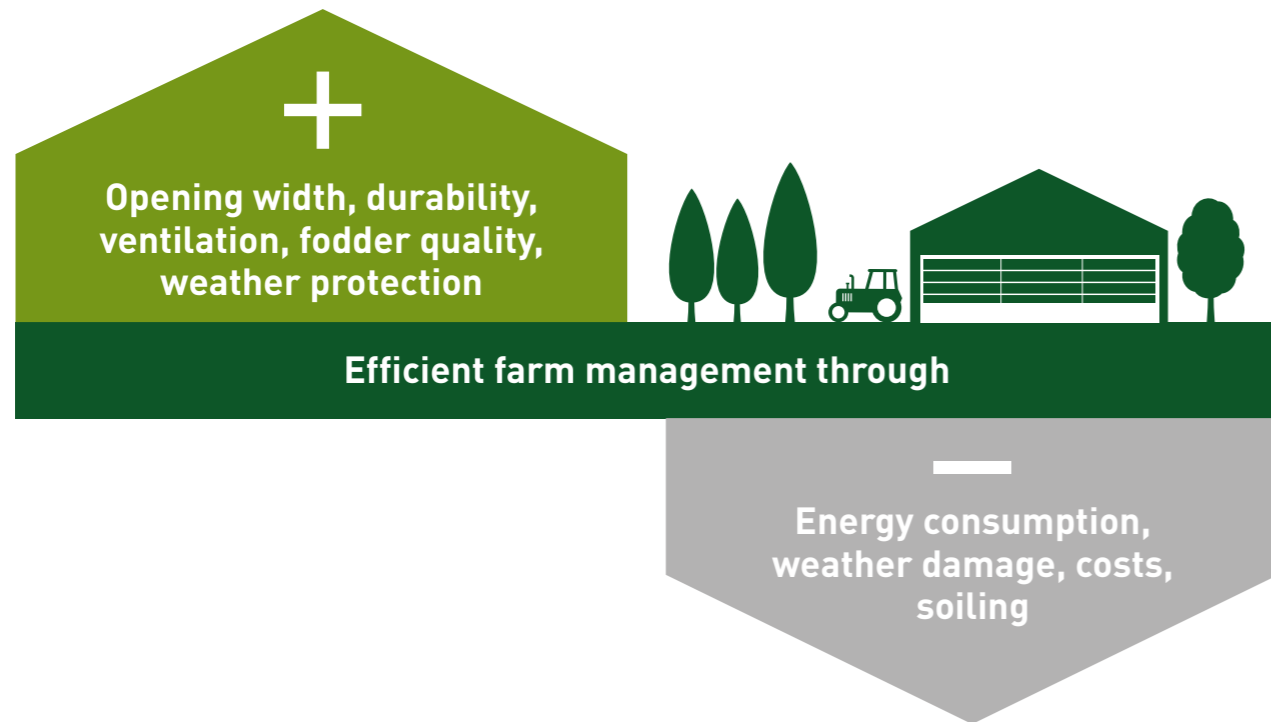
# Textile doors and fronts

## Lightweight assemblies for efficient farming

The simplification of farming operations and minimisation of energy costs are crucial factors in the design and fit-out of agricultural buildings. Textile doors and fronts facilitate the use of barns and similar structures. Wide openings and a high degree of customisation will enable your facilities to accommodate a wide range of applications. Moreover, by assuming an additional ventilation function, the state-of-the-art lightweight assemblies improve indoor environmental conditions and enhance

animal welfare. Not only your livestock, but also your fodder and machinery can be reliably protected against wind and other weather conditions.

As a full service provider of textile doors and fronts, HUESKER vouches for the maximum protection of barn and warehousing facilities against the elements. Take a look at our wide selection of doors and fronts.



# Product overview

## Textile doors

6-8



Lubratec  
Stabidoor



Lubratec  
Roller Blind Door



Lubratec  
Rolldoor

## Textile fronts

9-15



Lubratec  
Folding Front



Lubratec  
Roller Blind Front with  
travelling drive



Lubratec  
Roller Blind Front with  
fixed drive



Lubratec  
Roller Blind Front with  
tubular motor



Lubratec  
Roller Blind Front with  
tubular motor for indoors



Lubratec  
Rollwall



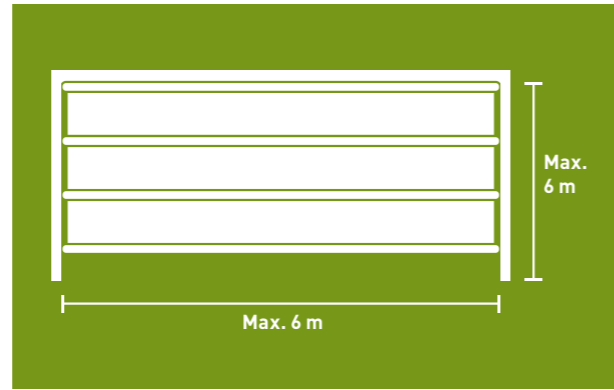
Lubratec  
Sliding Front

## Material overview

16-17

# Textile doors

## Lubratec Stabidoor



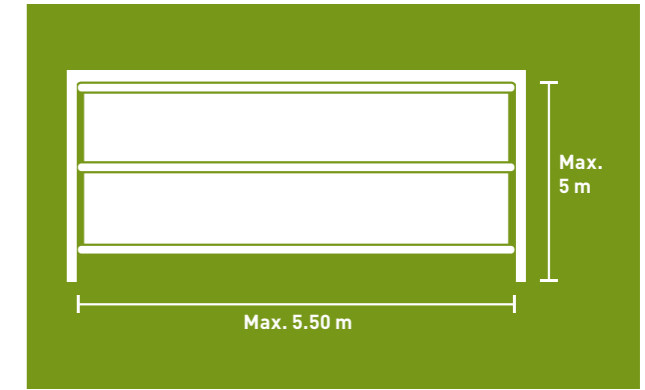
### Product benefits

- Suitable for daily opening and closing
- Optimum size for access by large vehicles
- High wind load capacity thanks to horizontal tubes and lateral guide rails
- Incorporated lip seals to prevent draughts from air infiltration at sides
- Additional ventilation effect possible with wind protection meshes

### Stabidoor profile

	STABIDOOR
Opening direction	Hanging winds upwards, top pelmet included
Opening height	Max. 6 m
Opening width	Max. 6 m
Drive	Manual drive, 400 V direct-mount motor, 230 V tubular motor (radio remote control optional)

## Lubratec Roller Blind Door



### Product benefits

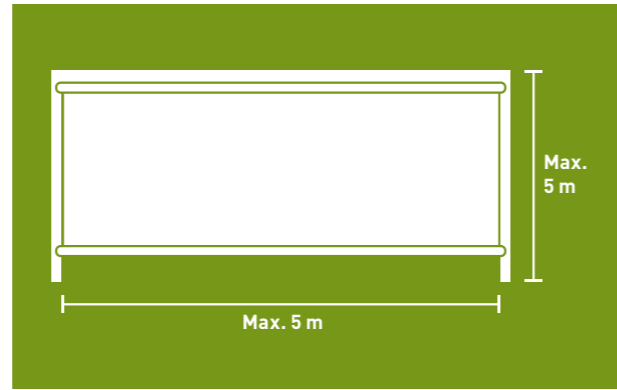
- Suitable for daily opening and closing
- Low space requirement on all sides in plane of fixing
- Enhanced wind load capacity thanks to central grooved tube and lateral guide rails
- Straightforward technical design
- Incorporated lip seals to prevent draughts from air infiltration at sides
- Additional ventilation effect possible with wind protection meshes
- Optional storm protection available

### Roller Blind Door profile

	ROLLER BLIND DOOR
Opening direction	Hanging winds upwards onto central 78 mm steel grooved tube
Opening height	Max. 5 m
Opening width	Max. 5.50 m
Drive	Manual drive or 230 V tubular motor (radio remote control optional)

# Textile doors

## Lubratec Rolldoor



### Product benefits

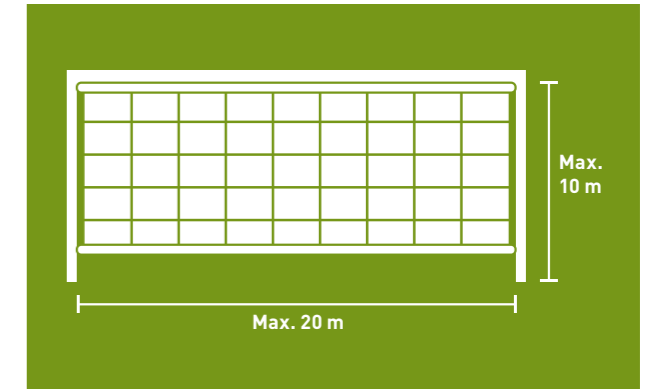
- Cost-effective with long service life
- Suitable for occasional vehicle access
- Without lateral guide rails
- Additional ventilation effect possible with wind protection meshes

### Rolldoor profile

	ROLLDOOR
Opening direction	Hanging is anchored at bottom when closed and wound onto top roller when open
Opening height	Max. 5 m
Opening width	Max. 5 m
Drive	Hand crank or pulling chain

# Textile fronts

## Lubratec Folding Front



### Product benefits

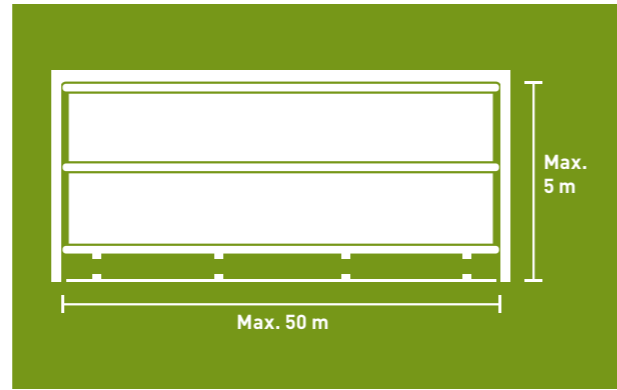
- Suitable for daily opening and closing
- Low space requirement on all sides in plane of fixing
- High wind load capacity thanks to integral horizontal belts and rollers in lateral guide rails
- Additional ventilation effect
- No locking device needed despite large opening sizes
- Incorporated lip seals to prevent draughts from air infiltration at sides

### Folding Front profile

	FOLDING FRONT
Opening direction	Folding curtain opens from bottom upwards and gathers at top
Opening height	Max. 10 m
Opening width	Max. 20 m
Drive	Manual or electric

# Textile fronts

## Lubratec Roller Blind Front with travelling drive



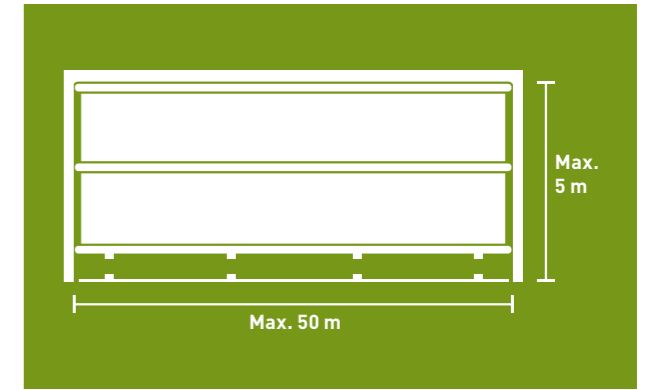
### Product benefits

- For extra wide openings, with low space requirement at sides
- High wind load capacity thanks to central grooved tube
- High system reliability – hanging tensioned at bottom by ratchets
- Additional ventilation effect possible with wind protection meshes

### Roller Blind Front profile

	ROLLER BLIND FRONT WITH TRAVELLING DRIVE
Opening direction	Hanging winds onto central 50 mm aluminium grooved tube
Opening height	Max. 5 m
Opening width	Max. 50 m
Drive	Manual or electric (mini-telescope, vertical guide rail)
Space requirement for drive	1.05 m

## Lubratec Roller Blind Front with fixed drive



### Product benefits

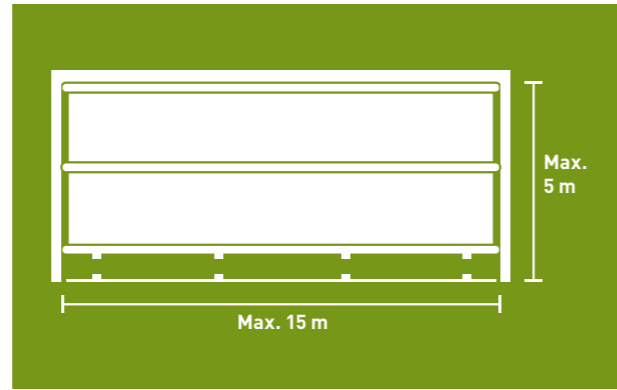
- For extra wide openings
- High wind load capacity thanks to central grooved tube
- Additional ventilation effect possible with wind protection meshes
- High system reliability – hanging tensioned at bottom by ratchets

### Roller Blind Front profile

	ROLLER BLIND FRONT WITH FIXED DRIVE
Opening direction	Hanging winds onto central 50 mm aluminium grooved tube
Opening height	Max. 5 m
Opening width	Max. 50 m
Drive	Manual or electric (with long telescope)
Space requirement for drive	2.05 m

# Textile fronts

## Lubratec Roller Blind Front with tubular motor



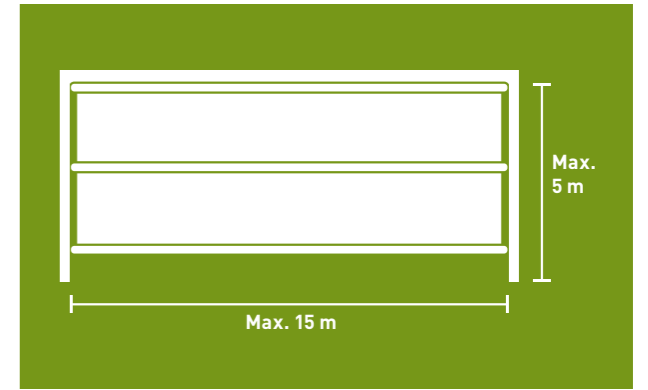
### Product benefits

- For up to 15 m wide openings with low space requirement at sides
- Incorporated lip seals to prevent draughts from air infiltration at sides
- High wind load capacity thanks to central grooved tube
- Extra high system reliability – hanging tensioned at bottom by ratchets
- Additional ventilation effect possible with wind protection meshes
- With storm protection

### Roller Blind Front profile

	ROLLER BLIND FRONT WITH TUBULAR MOTOR
Opening direction	Hanging winds onto central 78 mm steel grooved tube
Opening height	Max. 5 m
Opening width	Max. 15 m
Drive	230 V tubular motor
Space requirement for drive	No significant space requirement as drive located in winding shaft

## Lubratec Roller Blind Front with tubular motor for indoors



### Product benefits

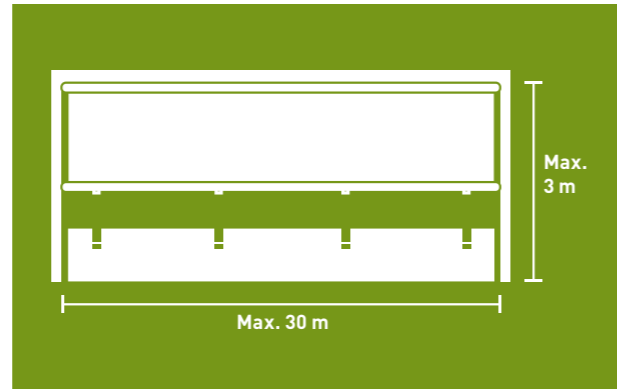
- For up to 15 m wide openings with low space requirement at sides
- Lateral guide rails and lip seals
- High stability thanks to central grooved tube

### Roller Blind Front profile

	ROLLER BLIND FRONT WITH TUBULAR MOTOR FOR INDOORS
Opening direction	Hanging winds onto central 78 mm steel grooved tube
Opening height	Max. 5 m
Opening width	Max. 15 m
Drive	230 V tubular motor
Space requirement for drive	No significant space requirement as drive located in winding shaft

# Textile fronts

## Lubratec Rollwall



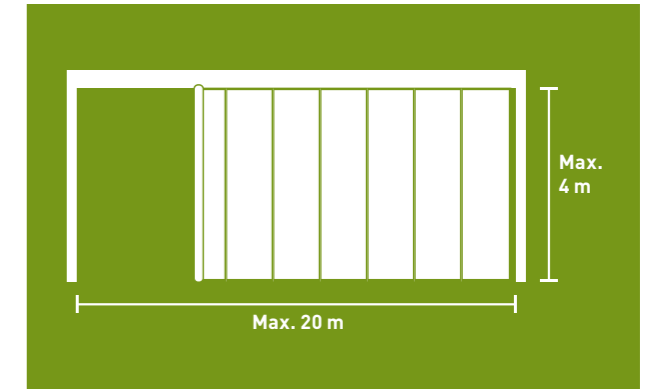
### Product benefits

- Suitable for openings above wall plinth or solid doors
- Low space requirement at top edge
- System held in closed position by steel claw hooks
- High wind and weather protection
- Additional ventilation effect possible with wind protection meshes

### Rollwall profile

	ROLLWALL
Opening direction	Hanging winds upwards onto bottom 78 mm steel grooved tube
Opening height	Max. 3 m
Opening width	Max. 30 m; guide rails on either side as option for widths less than 15 m
Drive	Manual drive or 230 V tubular motor

## Lubratec Sliding Front



### Product benefits

- Side-opening sliding curtain
- Suitable for particularly low headrooms
- Low-maintenance, cost-effective system
- Tensioned at sides by two large ratchets
- Secured at ground level by belt buckles
- Additional ventilation effect possible with wind protection meshes

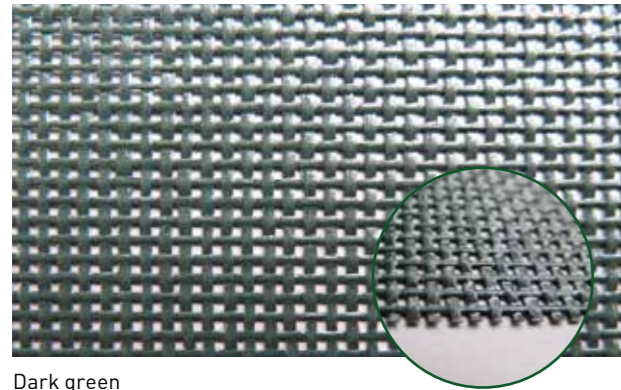
### Sliding Front profile

	SLIDING FRONT
Opening direction	Side-opening
Opening height	Max. 4 m
Opening width	Max. 20 m
Drive	Smooth manual operation by means of pull strap system



# Material overview


For Lubratec doors and fronts

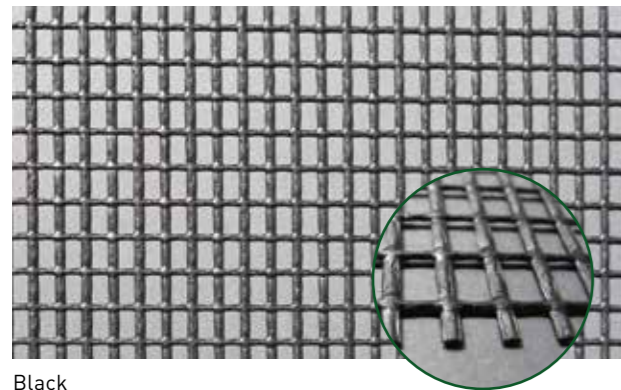


Dark green  
Art. no. FW52.144DGD

## PES-PVC MESH 73 52.144

PES mesh fabric with PVC coating, weight/unit area: approx. 250 g/m<sup>2</sup>, wind break: approx. 90 %

	Brown	Art. no. FW52.144BFRC
	Black	Art. no. FW52.144SFRA
	Beige	Art. no. FW52.144BEFRA
	Grey	Art. no. FW52.144GFRA
	Dark green	Art. no. FW52.144DGD

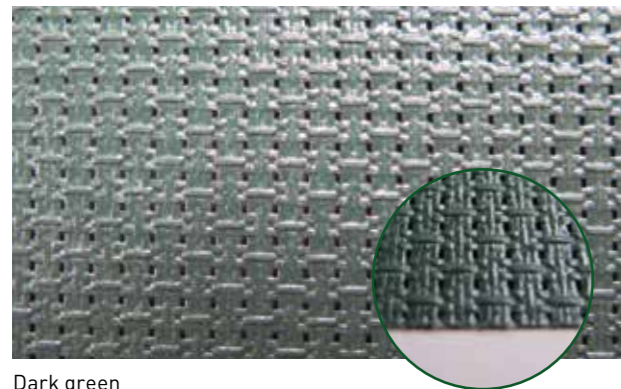


Black  
Art. no. FW40/40-4SA

## PES-PVC MESH 40/40

PES mesh fabric with PVC coating, weight/unit area: approx. 360 g/m<sup>2</sup>, wind break: approx. 40 %

	Black	Art. no. FW40/40-4SA
	Dark green	Art. no. FW40/40-4WGA

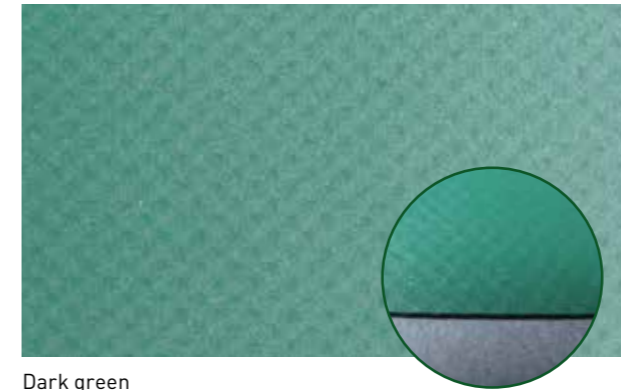


Dark green  
Art. no. FW60/60-1DGFRA

## PES-PVC MESH 92 60/60-1

PES mesh fabric with PVC coating, weight/unit area: approx. 450 g/m<sup>2</sup>, wind break: approx. 94 %

	Brown	Art. no. FW60/60-1BFRA
	Black	Art. no. FW60/60-1SFRA
	Beige	Art. no. FW60/60-1BEFRA
	Grey	Art. no. FW60/60-1GFRA
	Dark green	Art. no. FW60/60-1DGFRA

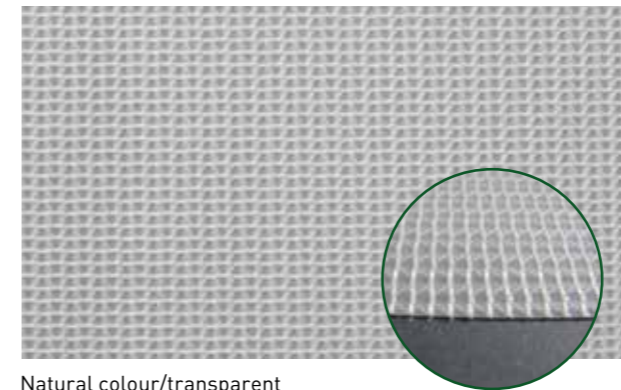


Dark green  
Art. no. FW50.149DGA

## PES-PVC TARPAULIN 6.5

PES mesh with PVC coating on either side, weight/unit area: approx. 650 g/m<sup>2</sup>

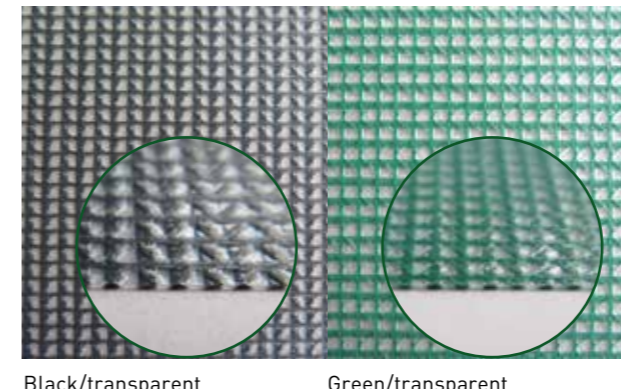
	Brown	Art. no. FW50.149BFR8.8A
	Black	Art. no. FW50.149SA
	Beige	Art. no. FW50.149BEA
	Grey	Art. no. FW50.149GFRA
	Dark green	Art. no. FW50.149DGA
	White	Art. no. FW50.149WFRA



Natural colour/transparent  
Art. no. FW50.149TRFRA

## PES-PVC TARPAULIN 6.5 WHITE/TRANSPARENT

PES mesh with PVC coating on either side, weight/unit area: approx. 680 g/m<sup>2</sup>



Black/transparent  
Art. no. FW50.149S/TRA

Green/transparent  
Art. no. FW50.149GRTRFRF

## PES-PVC TARPAULIN 6.5 BLACK/TRANSPARENT AND GREEN/TRANSPARENT

PES mesh with PVC coating on either side, weight/unit area: approx. 680 g/m<sup>2</sup>

# HUESKER

## The know how behind the Lubratec systems

Building on its 150 year plus corporate history, HUESKER boasts a long and successful track record of innovation in the agricultural sector. We offer wide-ranging solutions in the fields of animal welfare, agricultural technology, bio-

gas, liquid manure and silage protection. Described below are our key service offerings that are designed to simplify your work. Please feel free to talk to us about your needs and let our experts assist you with your requirements.

**We will assist you in developing a feel-good package for your animals and yourself.**

### Customisation

Custom-fabrication of your products is the centrepiece of our service portfolio. Your job is to specify the size, colour and technical performance. Our job is to deliver the solution. This way, you receive a product which meets your requirements and expectations.

### Digitisation

Are you already thinking ahead to "Barn 4.0"? So are we. Which is why we view the further refinement and networking of our products as a key priority. Our modern Lubratec technology allows simple monitoring and control of the barn environment to ensure maximum comfort for your livestock at all times.

### Installation

To guarantee that everything functions properly to provide you and your animals with the full benefits of Lubratec from day one, all products are installed by experienced operatives. Our on-site service can also be used to arrange for expert instruction in the operation of our various systems.

### Maintenance service

On request, HUESKER will also perform the annual maintenance on your Lubratec products to ensure that they enjoy a particularly long and trouble-free service life. The time you save on upkeep will then be free for you to spend with your animals.

### Production

We will fabricate and assemble your Lubratec solution at our production sites in Germany to give you the full benefit of our 150 year-plus experience in textile manufacturing. Our products are specially designed for reliability and durability so that our customers can focus their full attention on their livestock.

### Consulting and design

With a wealth of experience gathered on numerous projects, our experts will be delighted to advise you on the design of your new-build or refurbishment scheme. If you so wish, we will liaise directly with your architect to ensure the entire design process runs smoothly.



Lubratec® is a registered trademark of HUESKER Synthetic GmbH.  
HUESKER Synthetic is certified to ISO 9001 and ISO 50001.



---

**HUESKER Synthetic GmbH**

Fabrikstrasse 13-15  
48712 Gescher, Germany  
Phone: + 49 (0) 25 42 / 701 - 0  
Fax: + 49 (0) 25 42 / 701 - 499  
E-mail: [techtex@HUESKER.de](mailto:techtex@HUESKER.de)  
Web: [www.HUESKER.com](http://www.HUESKER.com)

Location Duellen  
Im Broemken 5  
48249 Duellen, Germany  
Phone: + 49 (0) 25 94 / 89 27 - 0  
Fax: + 49 (0) 25 94 / 89 27 - 890  
E-mail: [stallklima@HUESKER.de](mailto:stallklima@HUESKER.de)

 **HUESKER**  
Ideen. Ingenieure. Innovationen.